

User Manual for Multi-functional and High Flow Filter Housing

0WRX.466.804

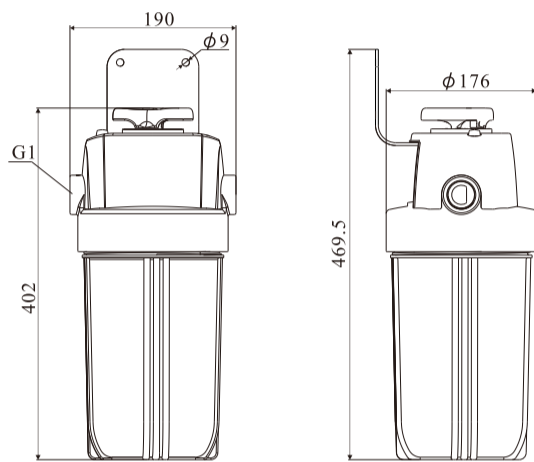
1. Purpose

This product needs to be used in conjunction with the filter cartridge provided by the manufacturer, such as PP filter element or activated carbon filter element, installed at the main water inlet or under the cabinet to intercept particulate matter impurities, rust, sediment, residual chlorine and other substances, and protect the water device.

2. Product Features

- Adopting high-quality food grade materials.
- Adopting ceramic core control valve for more reliable sealing performance.
- Integrating service, bypass and close, replacing the filter element does not require closing the main inlet water.
- The water outlet is provided with a 3/8" connector, which can be used by other water filter to protect the rear equipment.

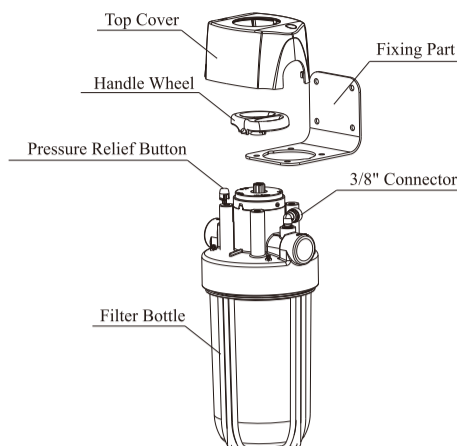
3. Product Size



Note: Dimensions are in millimeters.

-1-

4. Product Structure



5. Technical Parameter

Model No.	Inlet and Outlet	Flow Rate (Testing without filter element)	Working Pressure	Working Temperature	Water Source
RL-Q20	G1	4m ³ /h	0.1~0.4MPa	5~38℃	Tap Water

6. Installation Method

6-1. Installation Preparation

The installation of this filter housing must be carried out by professional personnel

- Professional installation personnel shall prepare installation tools and necessary inspection instruments.
- Carefully read the "User Manual" to understand the functions of this product.
- After the first installation or replacement of the filter element, it is necessary to tighten the filter bottle and allow water to flow for at least 15 minutes to observe if there is any leakage. To ensure the safety of product use, it is recommended to tighten the filter bottle again with a wrench after 10-20 days of use.
- It is recommended to replace the O-ring on the filter bottle every 2 years to avoid leakage due to aging and damage.
- Use a pressure gauge to check the water pressure of the water pipe and tap water. The water inlet pressure is required to be within 0.1-0.4MPa. If it is lower or higher, a booster pump or pressure reducing valve needs to be installed.

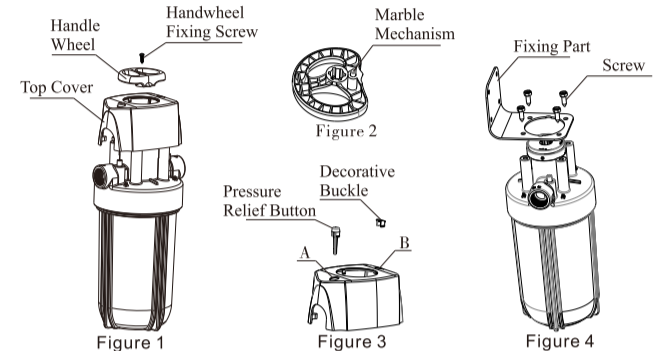
-2-

- The installation method of this product is wall mounted and floor mounted. Please confirm the load-bearing capacity of the wall for wall mounted installation.
- A reliable floor drain is required around the installation of the product.

6-2. Installation Instructions

a. Installation of fixing part and filter bottle

- Firstly, determine the direction of the installation position for the water inlet and outlet. The factory default is that the water inlet is on the left and the water outlet is on the right.
- If the direction of the installed inlet and outlet is different from the factory default, the filter bottle needs to be rotated 180° for installation. When install the fixing parts, the handwheel and top cover need to be removed as shown in Figure 1.
- In order to prevent the loss of the handwheel marble mechanism during transportation, the product is installed with the handwheel fixing screw by default during production. When installing the fixing part, it is necessary to first use a screwdriver to remove the fixing screw on the handwheel (pay attention to the marble mechanism on the handwheel when removing it, as shown in Figure 2).

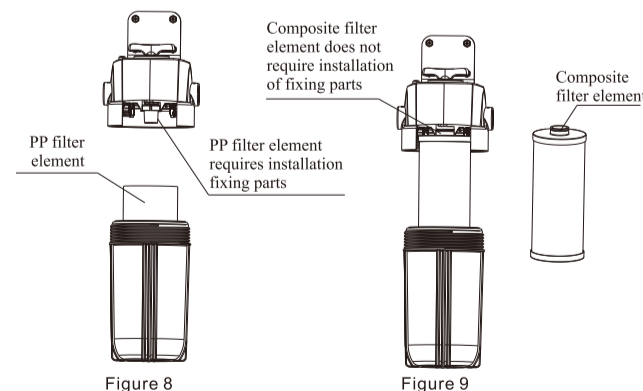
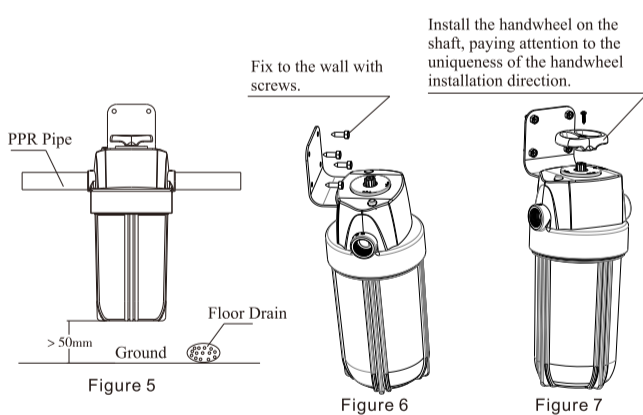


- If you need to change the direction of water inlet and outlet, please take out the pressure relief button and decorative buckle on the top cover and adjust them to the opposite position (A and B holes are adjusted), and install them in place according to the hole position, as shown in Figure 3.
- According to the actual direction of the water inlet and outlet, install the fixing part with matching screws on the control valve, as shown in Figure 4.

-3-

- Mark the hole position of the fixing plate on the wall and fix it to the wall with self-tapping screws, as shown in Figure 6. (Wooden wall screws are provided in the accessories. If you need expansion screws, please buy them yourself). The installation should ensure that the product is more than 50mm away from the ground, so that the filter element can be replaced, as shown in Figure 5.

- After installing the fixing parts, fix the handwheel to the product with screws again. Pay attention to the direction of the handwheel groove and the uniqueness of the installation direction, as shown in Figure 7.



-4-

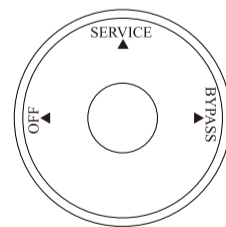
b. Installation Instructions for Filter Element

The filter element is divided into PP filter element and composite filter element. When installing the PP filter element, it is necessary to install the special fixing part of the PP filter element into the center hole of the valve, as shown in Figure 8. When installing the composite filter element, there is no need for this fixing part, otherwise the filter element may be damaged, as shown in Figure 9.

Attention: The installation of inlet and outlet water pipes are suggested to use hard pipes such as PPR. After the initial installation or later replacement of the filter element, it is necessary to tighten the filter bottle as much as possible to avoid loosening the filter bottle due to product shaking caused by water hammer.

7. Maintenance

The control valve of this product is equipped with functions such as SERVICE, BYPASS, and OFF. When replacing the filter element, there is no need to close the main inlet valve. Simply switch the control valve to the bypass station, press the pressure relief button to empty the air inside the filter bottle, and finally use the matching wrench to unscrew the filter bottle to replace the filter element.



The lifespan of the filter element is closely related to the water quality of the inlet water. Generally speaking, when the outlet water is noticeably reduced, the filter element becomes clogged and the filter material needs to be replaced.

Suggested replacement cycle: PP filter element is recommended to be replaced every 3-6 months, and carbon fiber composite filter element is recommended to be replaced every 6-12 months.

8. Packing List

No.	Name & Specification	Quantity	Picture
1	Filter Bottle	1	

-5-

2	1" to 3/4" Reducing Connector	2	
3	3/8" Quick Connector	1	
4	Special Fixing Part for PP Filter Element	1	
5	Fixing Part (Hanging Plate)	1	
6	Wrench	1	
7	M8 Cross Recessed Screw (for Fixing Valve Body and Fixing Parts)	4	
8	M8 Hexagonal Tapping Screw (For Fixing Wooden Wall)	4	
9	Warranty Card	1	
10	User Manual	1	
11	Handwheel Screw Hole Decorative Sticker	1	

9. Warranty Card

Dear client:

This warranty card is the guarantee proof of our products. It is kept by client self. You could get the after-sales services from the supplier. Please keep it properly. It couldn't be retrieved if lost. It couldn't be repaired free of charge under the below conditions:

- Guarantee period expired. (18 months from the manufacturing date);
- Damage resulting from using, maintenance, and keeping that are not in accordance with the instruction;
- Damage resulting from repairing not by the appointed maintenance personnel;
- Content in guarantee proof is unconfirmed with the label on the real good or be altered;
- Damage resulting from force majeure.

Product Name		Multi-functional and High Flow Filter Housing	
Model		Code of valve body	
Purchase Company Name		Tel/Cel	
Problem			
Solution			
Date of Repairing	Maintenance Man Signature	Date of Accomplishment	

-6-